

CLEARVIEW™ OPTICAL TROCAR



LAGIS®
MINIMAL INVASIVE INNOVATED

LAGIS[®]

LAGIS[™] Trocars deliver the performance you need

Abdominal Wall Retention

Integrated thread design on cannula with greater stability for minimal trocar slip-outs

Seal Durability

Maintain abdominal insufflation while accommodating a wide range of instrument sizes (5mm to 12mm).

Low System Drag Force

Housing and seal are designed to eliminate instrument hang-ups and provide low instrument insertion/extraction force.

Bladeless Optical Tip

Direct visualization eliminate blind entry by enabling visualization of tissue layers during insertion.

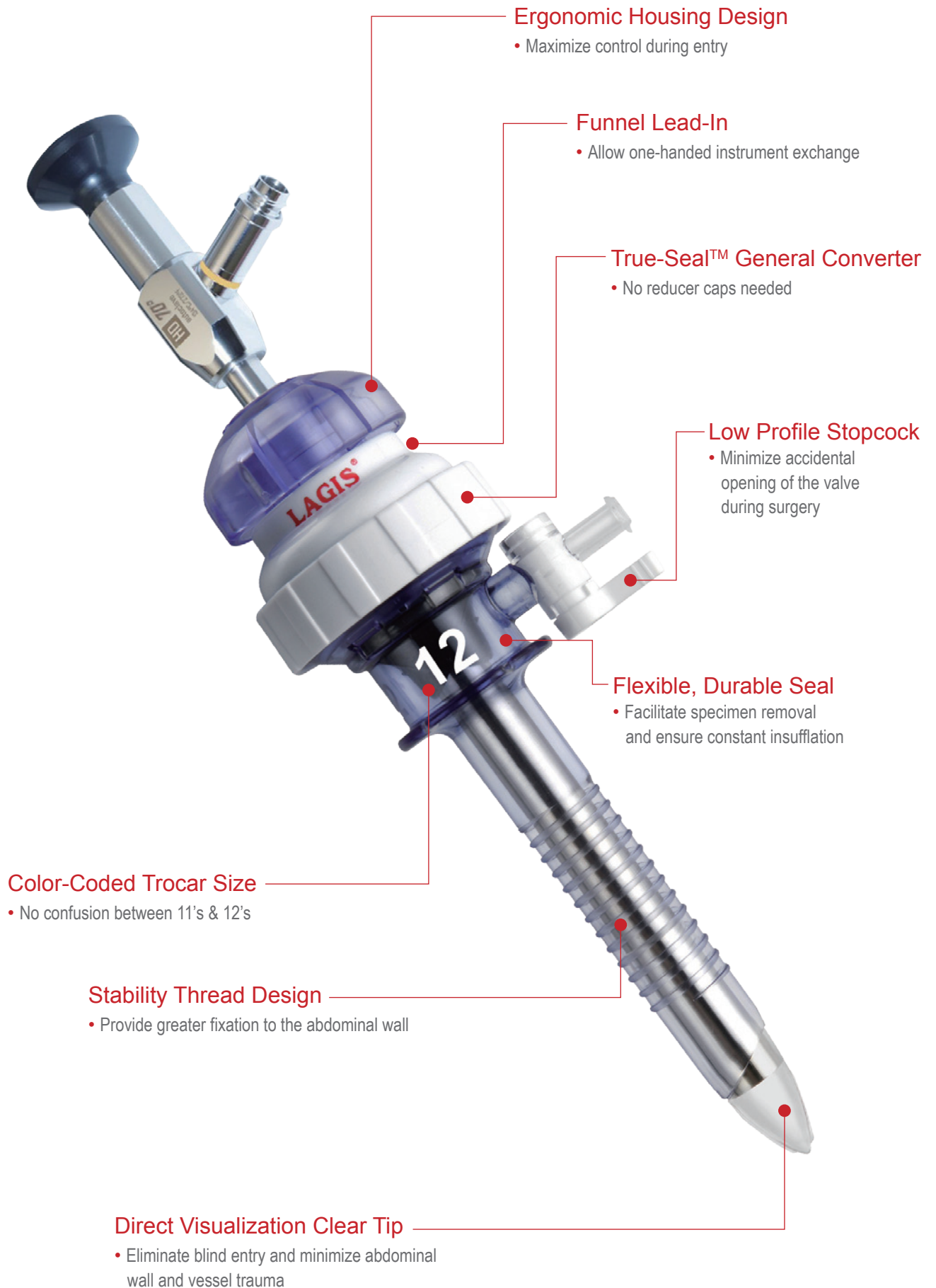


Contents



- LAGIS ClearView™ Optical Trocar P. 4
- LAGIS Universal Trocar Sleeve P. 6

LAGIS CLEARVIEW™ OPTICAL TROCAR



Ergonomic Housing Design

- Maximize control during entry

Funnel Lead-In

- Allow one-handed instrument exchange

True-Seal™ General Converter

- No reducer caps needed

Low Profile Stopcock

- Minimize accidental opening of the valve during surgery

Flexible, Durable Seal

- Facilitate specimen removal and ensure constant insufflation

Color-Coded Trocar Size

- No confusion between 11's & 12's

Stability Thread Design

- Provide greater fixation to the abdominal wall

Direct Visualization Clear Tip

- Eliminate blind entry and minimize abdominal wall and vessel trauma



ClearView™ Optical Trocar

Set include 1 Sleeve & 1 ClearView Optical Obturator

CODE	DESCRIPTION	LENGTH
TR-06VM1	Stability sleeve, 5mm diameter	55mm
TR-06V1	Stability sleeve, 5mm diameter	78mm
TR-06VL1	Stability sleeve, 5mm diameter	100mm
TRO-08V1	Smooth sleeve, 8mm diameter	100mm
TRO-11VM1	Stability sleeve, 11mm diameter	75mm
TRO-11V1	Stability sleeve, 11mm diameter	108mm
TRO-12VM1	Stability sleeve, 12mm diameter	75mm
TRO-12V1	Stability sleeve, 12mm diameter	108mm
TRO-12VX1	Stability sleeve, 12mm diameter	150mm

ClearView™ Optical Trocar Kit

Set include 2 Sleeves & 1 ClearView Optical Obturator

CODE	DESCRIPTION	LENGTH
TR-06VM2	Stability sleeve, 5mm diameter	55mm
TR-06V2	Stability sleeve, 5mm diameter	78mm
TR-06VL2	Stability sleeve, 5mm diameter	100mm
TRO-08V2	Smooth sleeve, 8mm diameter	100mm
TRO-11VM2	Stability sleeve, 11mm diameter	75mm
TRO-11V2	Stability sleeve, 11mm diameter	108mm
TRO-12VM2	Stability sleeve, 12mm diameter	75mm
TRO-12V2	Stability sleeve, 12mm diameter	108mm
TRO-12VX2	Stability sleeve, 12mm diameter	150mm

LAGIS UNIVERSAL TROCAR SLEEVE

Durable Universal Seal

- No reducer caps needed

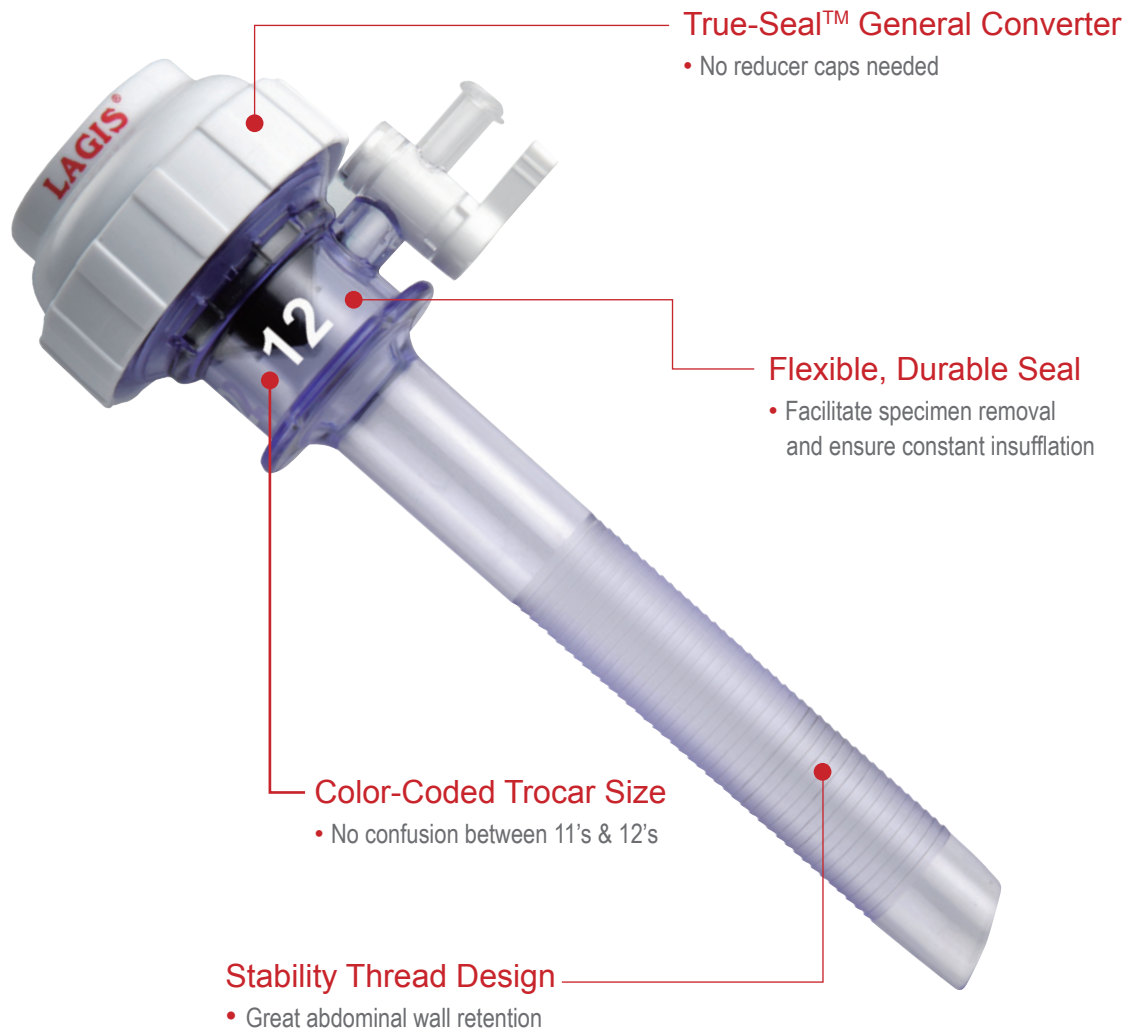


Recessed Stopcock Valve

- Reduce unintentional opening/closing during surgery

Funnel Lead-In

- Enable smooth instrument exchange



True-Seal™ General Converter

- No reducer caps needed

Flexible, Durable Seal

- Facilitate specimen removal and ensure constant insufflation

Color-Coded Trocar Size

- No confusion between 11's & 12's

Stability Thread Design

- Great abdominal wall retention



UNIVERSAL TROCAR SLEEVE

CODE	DESCRIPTION	LENGTH
TR-06M	Stability sleeve, 5mm diameter	55mm
TR-06	Stability sleeve, 5mm diameter	78mm
TR-06-N	Stability sleeve, 5mm diameter without insufflation valve	78mm
TR-06L	Stability sleeve, 5mm diameter	100mm
TRO-08	Smooth sleeve, 8mm diameter	100mm
TRO-11M	Stability sleeve, 11mm diameter	75mm
TRO-11	Stability sleeve, 11mm diameter	108mm
TRO-11-A	Smooth sleeve, 11mm diameter	108mm
TRO-12M	Stability sleeve, 12mm diameter	75mm
TRO-12	Stability sleeve, 12mm diameter	108mm
TRO-12-A	Smooth sleeve, 12mm diameter	108mm
TRO-12X	Stability sleeve, 12mm diameter	150mm



LAGIS[®]
MINIMAL INVASIVE INNOVATED

LAGIS ENTERPRISE CO., LTD
33, Lane 908, Sec.1, Jhongshan Rd.,
Dajia, Taichung 43762 Taiwan

P : +886-4-26880767
F : +886-4-26880670
service@lagis.com.tw

www.lagis.com.tw