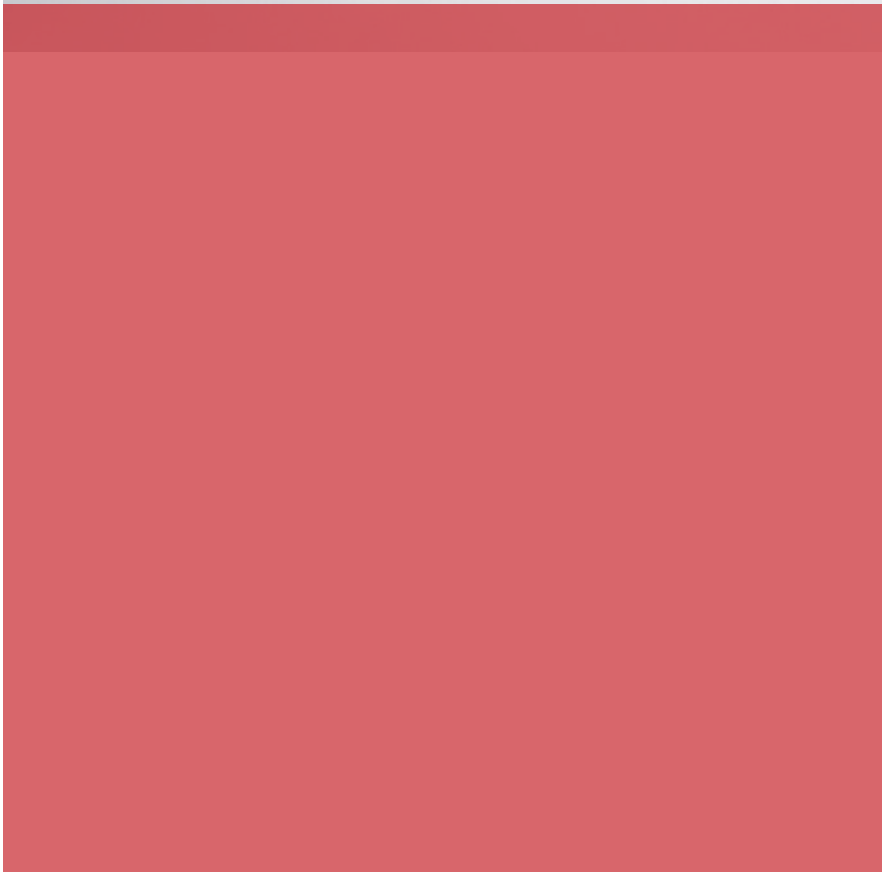




# TROCCAR SYSTEM

**LAGIS<sup>®</sup>**  
MINIMAL INVASIVE INNOVATED



## Contents

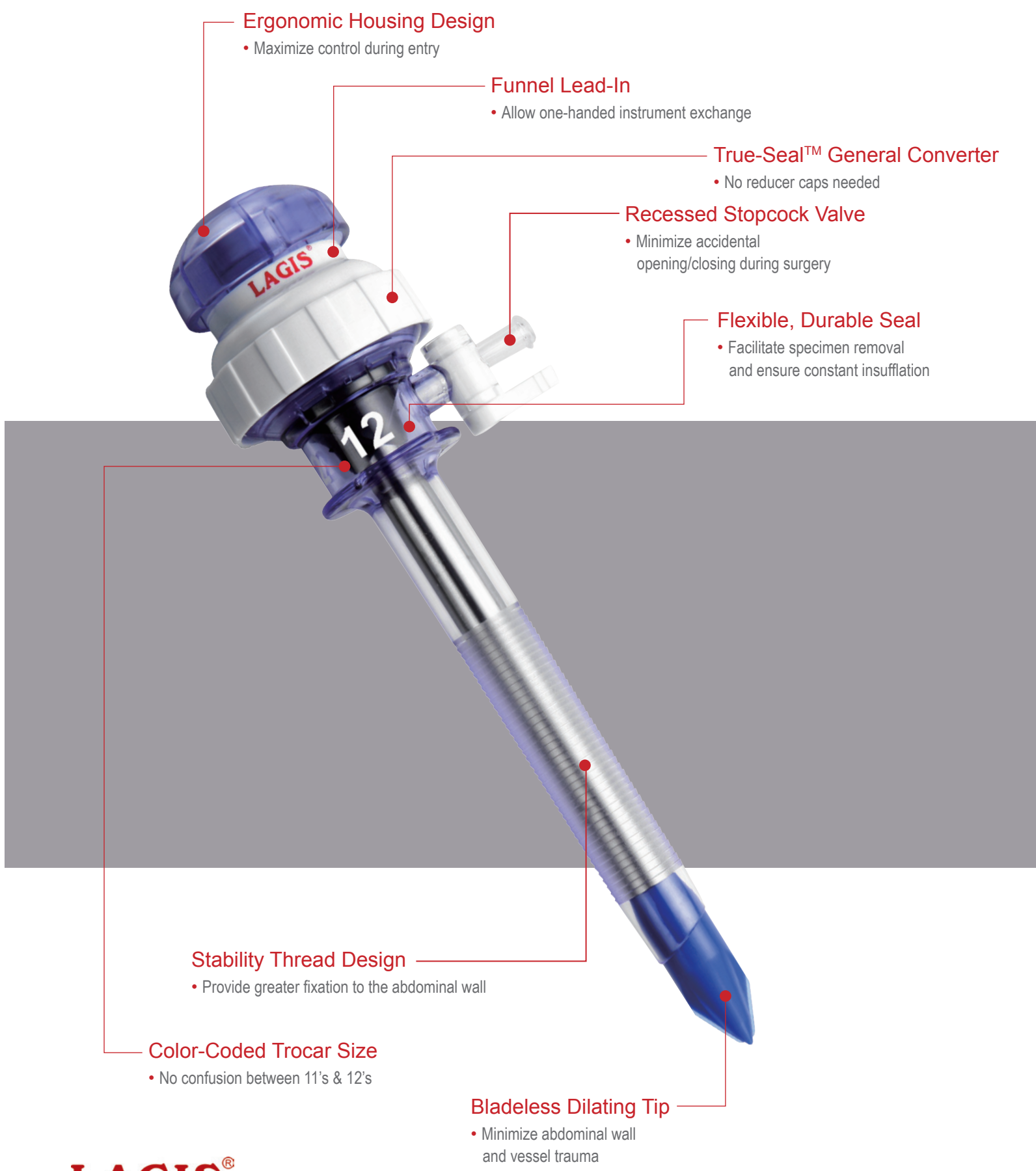
---

- LAGIS Dilating Tip Trocar 4
- LAGIS Conical Tip Trocar 6
- LAGIS Shielded Bladed Trocar 8
- LAGIS Blunt Tip Trocar 10
- LAGIS Universal Trocar Sleeve 12





# LAGIS DILATING TIP TROCAR



### Ergonomic Housing Design

- Maximize control during entry

### Funnel Lead-In

- Allow one-handed instrument exchange

### True-Seal™ General Converter

- No reducer caps needed

### Recessed Stopcock Valve

- Minimize accidental opening/closing during surgery

### Flexible, Durable Seal

- Facilitate specimen removal and ensure constant insufflation

### Stability Thread Design

- Provide greater fixation to the abdominal wall

### Color-Coded Trocar Size

- No confusion between 11's & 12's

### Bladeless Dilating Tip

- Minimize abdominal wall and vessel trauma



## Dilating Tip Trocar

Set include 1 Sleeve & 1 Dilating Obturator

CODE	DESCRIPTION	LENGTH
TR-06DM1	Stability sleeve, 5mm diameter	55mm
TR-06D1	Stability sleeve, 5mm diameter	78mm
TR-06DL1	Stability sleeve, 5mm diameter	100mm
TRO-08C1	Smooth sleeve, 8mm diameter	100mm
TRO-11CM1	Stability sleeve, 11mm diameter	75mm
TRO-11C1	Stability sleeve, 11mm diameter	108mm
TRO-12CM1	Stability sleeve, 12mm diameter	75mm
TRO-12C1	Stability sleeve, 12mm diameter	108mm
TRO-12CX1	Stability sleeve, 12mm diameter	150mm

## Dilating Tip Trocar Kit

Set include 2 Sleeves & 1 Dilating Obturator

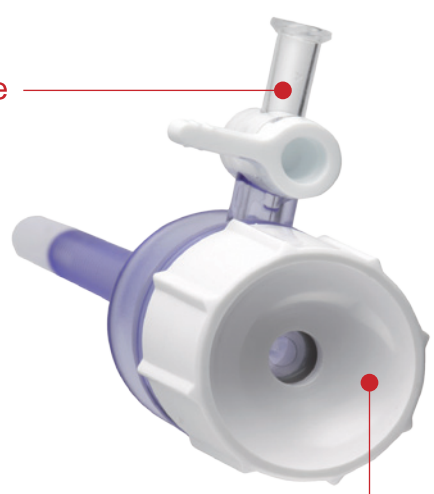
CODE	DESCRIPTION	LENGTH
TR-06DM2	Stability sleeve, 5mm diameter	55mm
TR-06D2	Stability sleeve, 5mm diameter	78mm
TR-06DL2	Stability sleeve, 5mm diameter	100mm
TRO-08C2	Smooth sleeve, 8mm diameter	100mm
TRO-11CM2	Stability sleeve, 11mm diameter	75mm
TRO-11C2	Stability sleeve, 11mm diameter	108mm
TRO-12CM2	Stability sleeve, 12mm diameter	75mm
TRO-12C2	Stability sleeve, 12mm diameter	108mm
TRO-12CX2	Stability sleeve, 12mm diameter	150mm



# LAGIS CONICAL TIP TROCAR

## Recessed Stopcock Valve

- Minimize accidental opening/closing during surgery



## Color-Coded Trocar Size

## Low Profile Housing

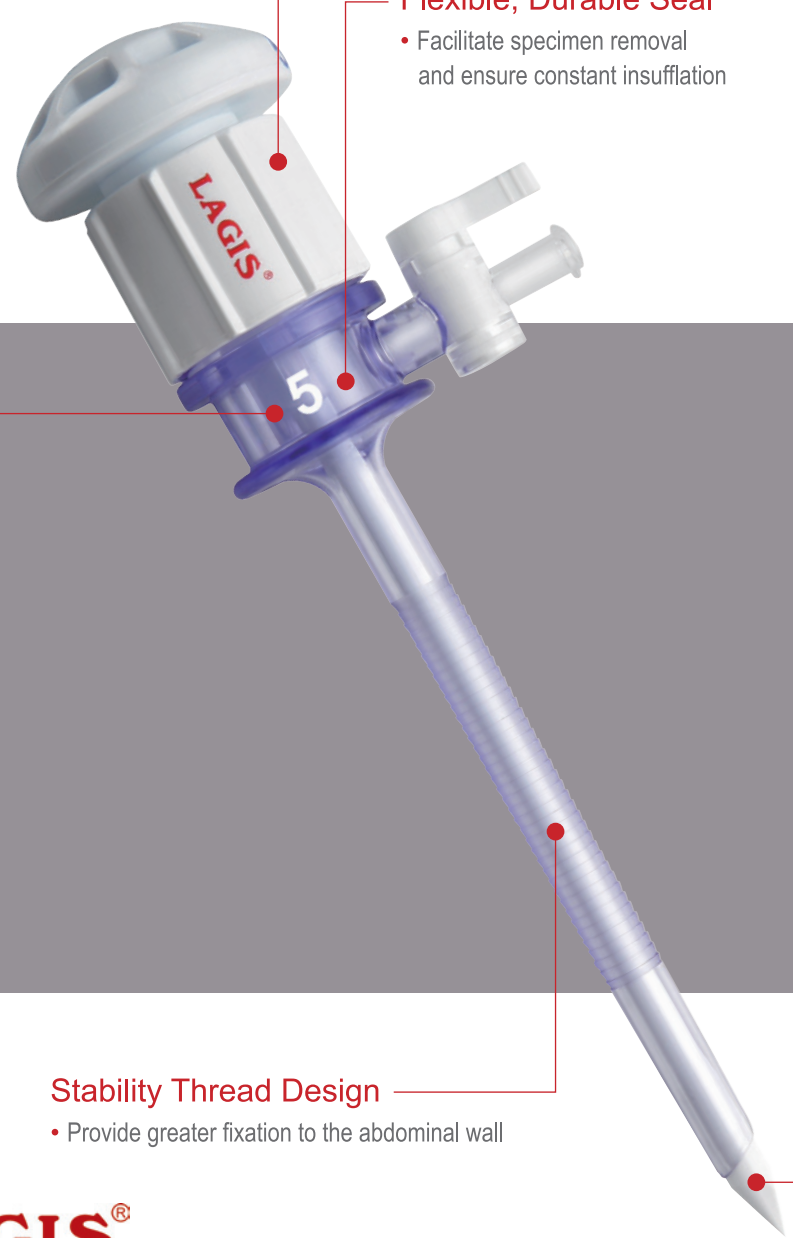
- Enable further instrument reach

## Flexible, Durable Seal

- Facilitate specimen removal and ensure constant insufflation

## Funnel Lead-In

- Enable smooth, one-handed instrument exchange



## Stability Thread Design

- Provide greater fixation to the abdominal wall

## Bladeless Conical Tip



### Conical Tip Trocar

#### Set include 1 Sleeve & 1 Conical Obturator

CODE	DESCRIPTION	LENGTH
TR-06C1	Stability sleeve, 5mm diameter	78mm
TR-06CL1	Stability sleeve, 5mm diameter	100mm

### Conical Trocar Kit

#### Set include 2 Sleeves & 1 Conical Obturator

CODE	DESCRIPTION	LENGTH
TR-06C2	Stability sleeve, 5mm diameter	78mm
TR-06CL2	Stability sleeve, 5mm diameter	100mm



# LAGIS SHIELDED BLADED TROCAR







### Shielded Bladed Trocar

Set include 1 Sleeve & 1 Bladed Obturator

CODE	DESCRIPTION	LENGTH
TR-06S1	Stability sleeve, 5mm diameter	78mm
TR-06SL1	Stability sleeve, 5mm diameter	100mm
TRO-11S1	Stability sleeve, 11mm diameter	108mm
TRO-12S1	Stability sleeve, 12mm diameter	108mm
TRO-12SX1	Stability sleeve, 12mm diameter	150mm

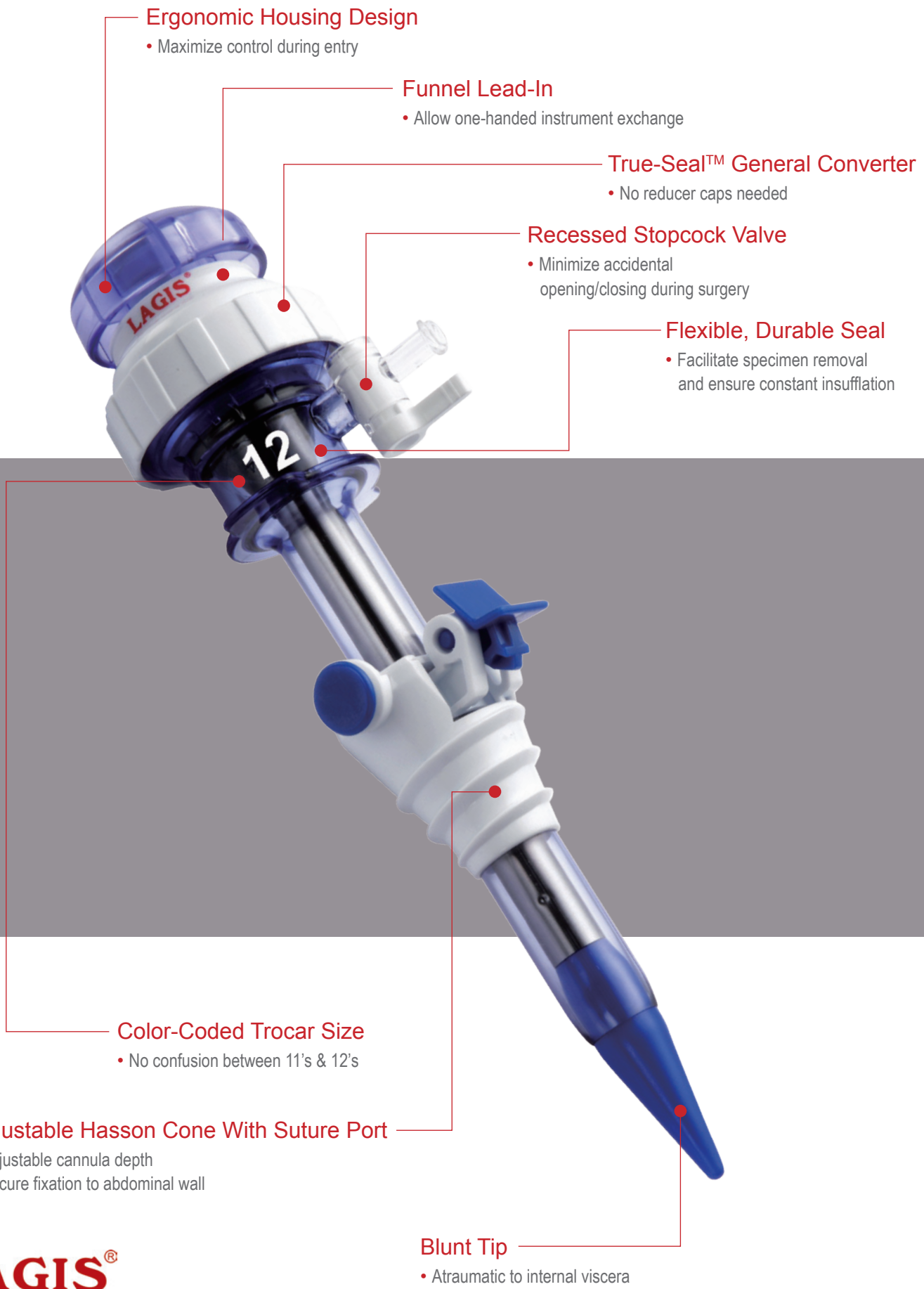
### Shielded Bladed Trocar Kit

Set include 2 Sleeves & 1 Bladed Obturator

CODE	DESCRIPTION	LENGTH
TR-06S2	Stability sleeve, 5mm diameter	78mm
TR-06SL2	Stability sleeve, 5mm diameter	100mm
TRO-11S2	Stability sleeve, 11mm diameter	108mm
TRO-12S2	Stability sleeve, 12mm diameter	108mm
TRO-12SX2	Stability sleeve, 12mm diameter	150mm



# LAGIS BLUNT TIP TROCAR





### Blunt Tip Trocar

Set include 1 Sleeve & 1 Blunt Obturator

CODE	DESCRIPTION	LENGTH
TRO-11B1	Stability sleeve, 11mm	108mm
TRO-12B1	Stability sleeve, 12mm	108mm

### Blunt Tip Trocar Kit

Set include 2 Sleeves & 1 Blunt Obturator

CODE	DESCRIPTION	LENGTH
TRO-11B2	Stability sleeve, 11mm	108mm
TRO-12B2	Stability sleeve, 12mm	108mm

### Blunt Tip Hasson Trocar

Set include 1 Sleeve, Hasson Cone & 1 Blunt Obturator

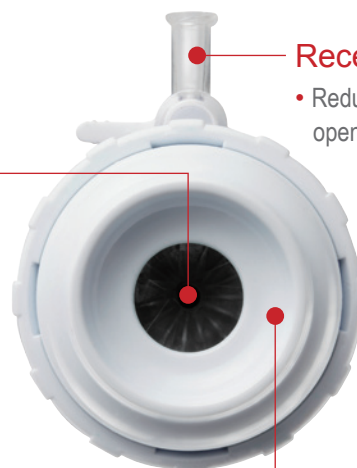
CODE	DESCRIPTION	LENGTH
TRO-12B1-AH	Smooth sleeve + Hasson Cone, 12mm	108mm

### Adjustable Hasson Cone

CODE	DESCRIPTION	LENGTH
HS-12	Smooth sleeve + Hasson Cone, 12mm	-



# LAGIS UNIVERSAL TROCAR SLEEVE



## Recessed Stopcock Valve

- Reduce unintentional opening/closing during surgery

## Durable Universal Seal

- No reducer caps needed

## True-Seal™ General Converter

- No reducer caps needed

## Flexible, Durable Seal

- Facilitate specimen removal and ensure constant insufflation

## Funnel Lead-In

- Enable smooth instrument exchange



## Color-Coded Trocar Size

- No confusion between 11's & 12's

## Stability Thread Design

- Great abdominal wall retention



## UNIVERSAL TROCAR SLEEVE

CODE	DESCRIPTION	LENGTH
TR-06M	Stability sleeve, 5mm diameter	55mm
TR-06	Stability sleeve, 5mm diameter	78mm
TR-06-N	Stability sleeve, 5mm diameter without insufflation port	78mm
TR-06L	Stability sleeve, 5mm diameter	100mm
TRO-08	Smooth sleeve, 8mm diameter	100mm
TRO-11M	Stability sleeve, 11mm diameter	75mm
TRO-11	Stability sleeve, 11mm diameter	108mm
TRO-11-A	Smooth sleeve, 11mm diameter	108mm
TRO-12M	Stability sleeve, 12mm diameter	75mm
TRO-12	Stability sleeve, 12mm diameter	108mm
TRO-12-A	Smooth sleeve, 12mm diameter	108mm
TRO-12X	Stability sleeve, 12mm diameter	150mm







**LAGIS**<sup>®</sup>  
MINIMAL INVASIVE INNOVATED

LAGIS ENTERPRISE CO., LTD  
33, Lane 908, Sec.1, Jhongshan Rd.,  
Dajia, Taichung 43762 Taiwan

P : +886-4-26880767  
F : +886-4-26880670  
service@lagis.com.tw

[www.lagis.com.tw](http://www.lagis.com.tw)